

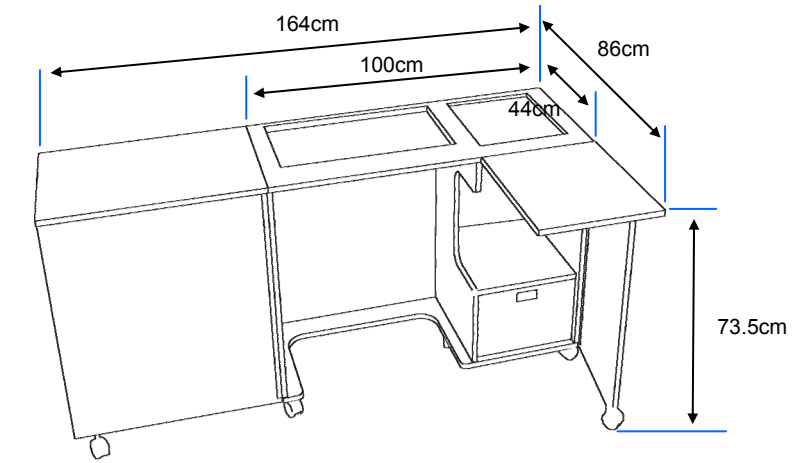
The NOVA

- the Classic Sewing Cabinet



Closed the NOVA is a handsome compact piece of furniture shown here in Medium Oak

With the NOVA you can store both your sewing machine, overlocker and all your vital sewing accessories in one easy to get at location- no problem



CLOSED - WIDE 100cm (39½") DEEP 44cm (17½ ") HIGH 76cm (29¾")

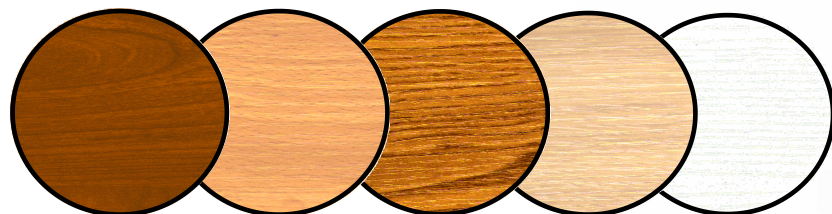
Heaps of storage & fitted with a handy removable accessory tray

Available in 5 finishes!

- ▶ Tops open to become work area extensions and an organiser door that swings open smoothly and easily and locks into place.
- ▶ An extra deep drawer, handy shelf, and a recessed table top accessories organiser adds even more storage.
- ▶ Extra stable, open base construction; 7 easy rolling lockable castors, are attached to a specially designed reinforced frame.
- ▶ 3 step Soft- touch air lift system means a gentle push moves your machine from storage to flatbed to free-arm positions and will fit virtually all domestic sewing machines on the market old or new!
- ▶ Spacious, see through door bins make finding thread etc.. easy.
- ▶ The work surface is fitted with flush mounted non snag hinges.
- ▶ A large deep drawer with steel gliders.
- ▶ Handy storage holder for your machine insert. Stores both a sewing machine and an overlocker. Or maybe a second smaller craft class machine
- ▶ Entire cabinet glides closed, and locks for child safety when not in use.
- ▶ Comes fully assembled, the cabinet is beautifully finished front to back, inside and out.



Colour Chart



Teak, Beech, Medium Oak, Light Oak, White

Our most compact unit that can take both an overlocker and sewing machine

Fitted with our longer air-lifter